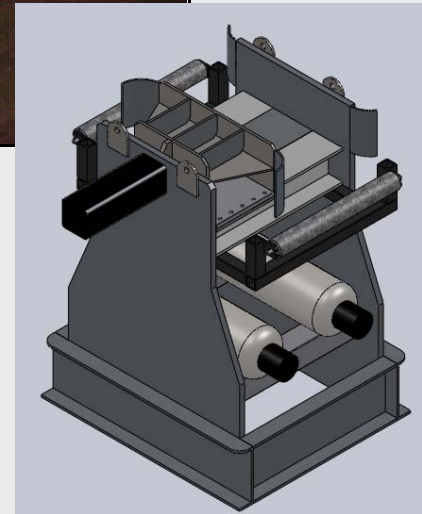


M121 – STONKER



Specifications:

- Max Pinch Force is 14.5 T @ 2,500psi
- Min Pinch Force is 5.75 T @ 1,000psi
- 2 x 5 imp gallon Accumulators
- Stand alone unit (Up to 4 full actions without hyd. Power)
- Entry + Exit rollers + Bell Mouth
- Quick Disconnects
- Hydraulic reservoir for maximum autonomy

Dimensions:

- Footprint: 1100 x 1250mm (44in x 50in)
- Height: 1380mm (55in)
- Opening: 368mm (12in)
- Scantlings: 50mm (1in) Steel plate / Jaw / Frame
- Weight: 1980 lbs (898 kg)